

**PRODUCT CODE: PAM20B**  
PVC CONDUIT ACCESSORIES

**DESCRIPTION**

20mm Male Adaptor

**FINISH**

Black

**MATERIAL**

PVC

**PACKAGING**

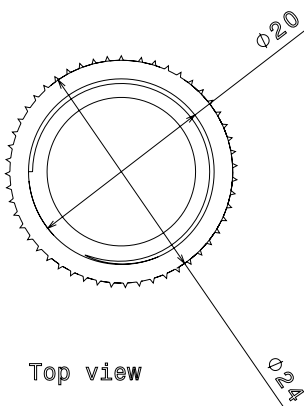
Packed in qty 100

**ADDITIONAL NOTES**

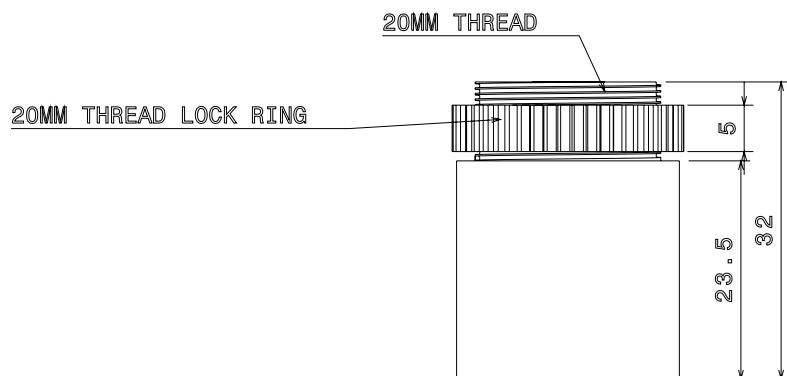
Manufactured to BS4607 part 1



Isometric view



Top view



side view